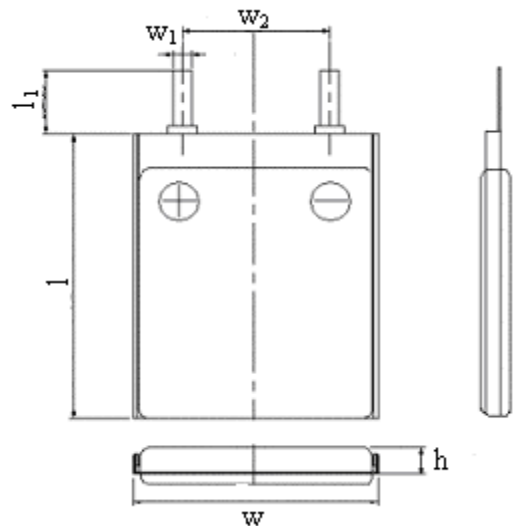


Great Power Polymer Li-ion Rechargeable Battery

Product Specifications-GSP 063048

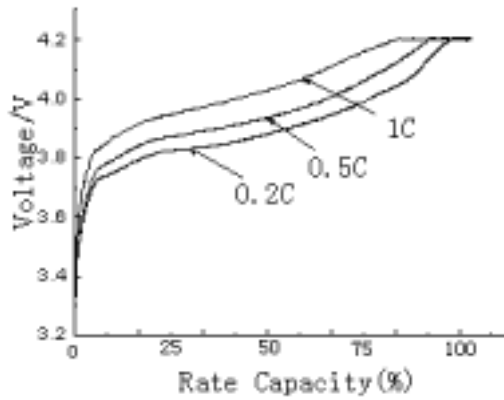
Model		GSP 063048	
Specifications		3.6V/850mAh	
Nominal voltage	3.6V	Cut-off voltage	3.0V
Capacity	850mAh(@0.5C discharge, 23°C)		
Impedance	60m		
Cycle Life	500 Cycles (@0.5C charge&discharge, 23°C)		
Self-discharge	Residual capacity > 90% (@25°C±2°C, 30 days)		
Max. charge current	1C (850mA)		
Max. discharge current	1C (850mA)		
Operating temperature	Charging	0°C ~ 45°C	
	Discharging	-20°C ~ 60°C	
	Storage	-20°C ~ 45°C	
Dimensions /mm	l	48.0 ± 1.0	
	w	30.0 ± 0.5	
	h	6.0 ± 0.2	
	l ₁	10.0 ± 1.0	
	w ₁	4	
	w ₂	18 ± 1.0	
Cell Weight(Approx.)		18.5g	



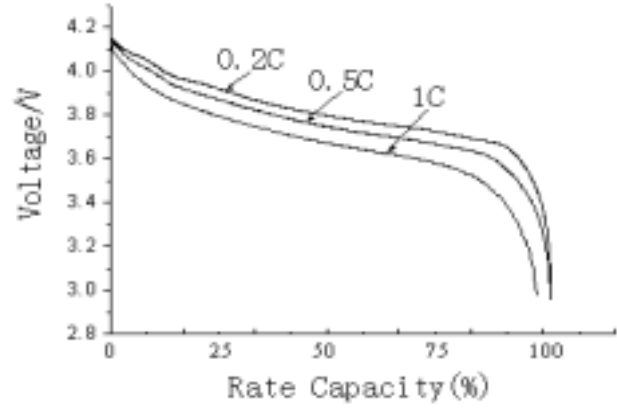
Great Power Polymer Li-ion Rechargeable Battery

Product Specifications-GSP 063048

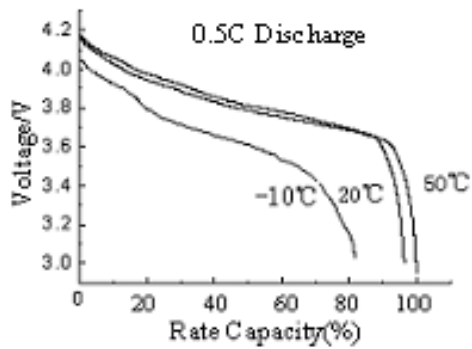
1. Charge Characteristics



2. Discharge Characteristics



3. Discharge Temperature Characteristics



4. Cycle life

