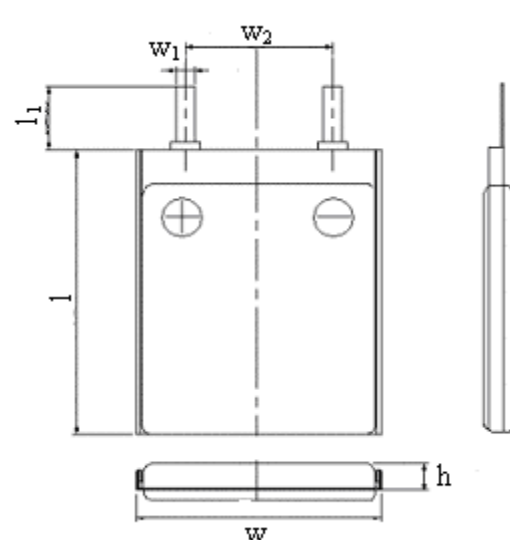


Great Power Polymer Li-ion Rechargeable Battery

Product Specifications-GSP052024

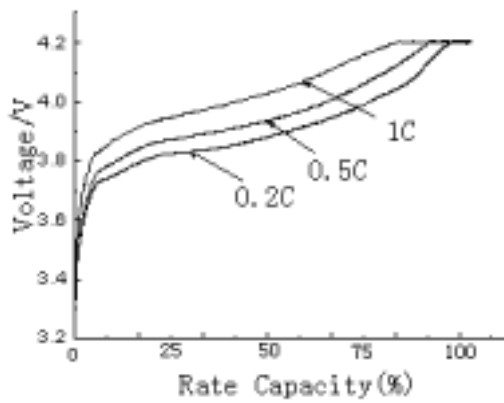
Model			GSP 052024	
Specifications			3.7V/ 160mAh	
Nominal voltage	3.7V	Cut-off voltage	3.0V	
Capacity	160mAh(@0.5C discharge, 23°C)			
Impedance	150m			
Cycle Life	500 Cycles (@0.5C charge&discharge, 23°C)			
Self-discharge	Residual capacity > 90% (@25°C±2°C, 30 days)			
Max. charge current	1C (160mA)			
Max.discharge current	1C (160mA)			
Operating temperature	Charging	0 °C ~ 45 °C		
	Discharging	-20 °C ~ 60 °C		
	Storage	-20 °C ~ 45 °C		
Dimensions /mm	l	24.0 ± 1.0		
	w	20.0 ± 0.5		
	h	5.0 ± 0.2		
	l ₁	10.0 ± 1.0		
	w ₁	3		
	w ₂	10.0 ± 1.0		
Cell Weight(Approx.)			3.6g	



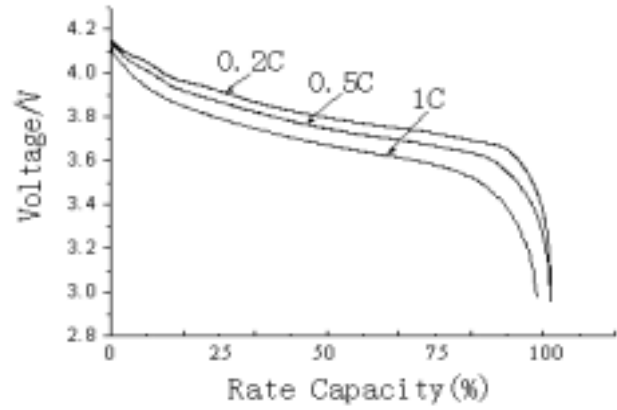
Great Power Polymer Li-ion Rechargeable Battery

Product Specifications-GSP052024

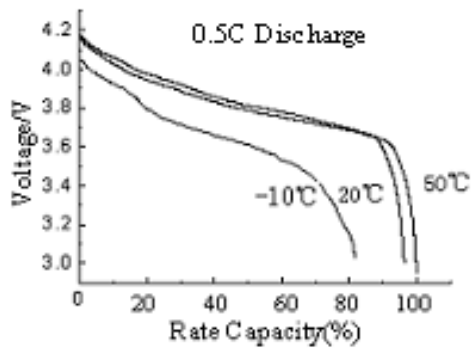
1. Charge Characteristics



2. Discharge Characteristics



3. Discharge Temperature Characteristics



4. Cycle life

